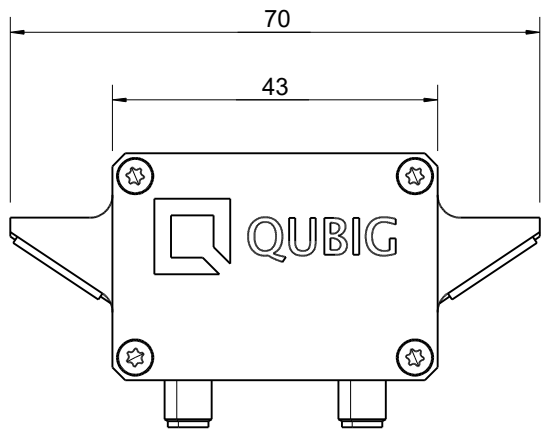
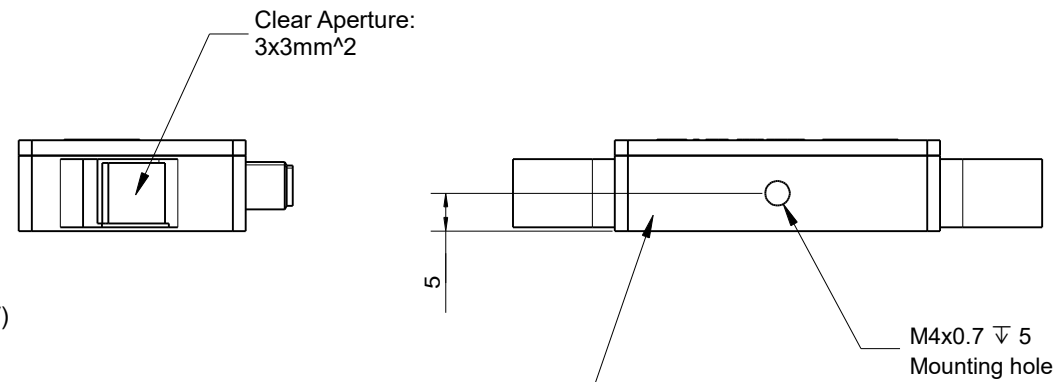
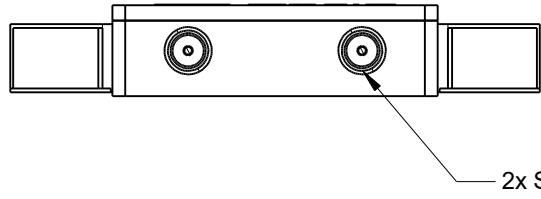
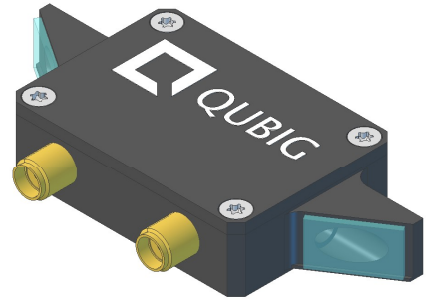
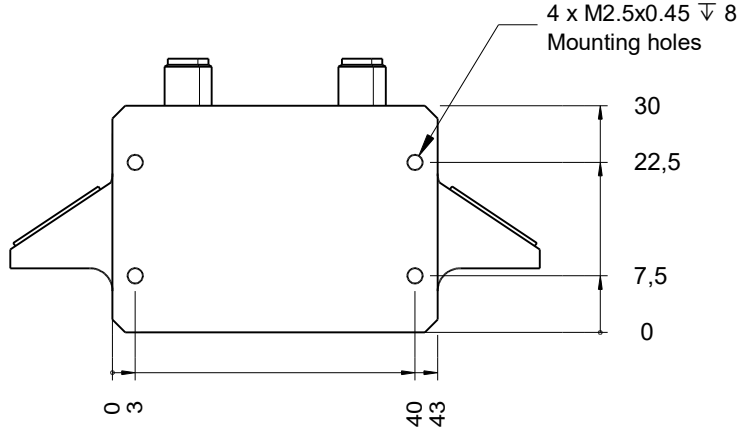
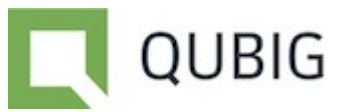


RevNo	Revision note		Date	Signature	Checked
-------	---------------	--	------	-----------	---------



**Housing is hermetically sealed.
No user-serviceable parts inside!
DO NOT OPEN!
Crystals will get damaged otherwise.**

Itemref	Quantity	Title/Name, designation, material, dimension etc			Article No./Reference	
Drawn by ev	Checked by	Approved by - date	File name	Date 06.03.2019	Scale 1:1	



PS3D-BC	Edition	Sheet 1 von 1
---------	---------	------------------