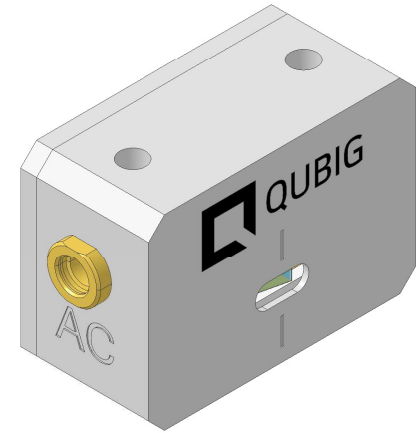
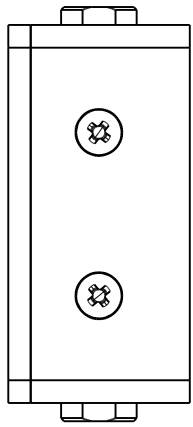
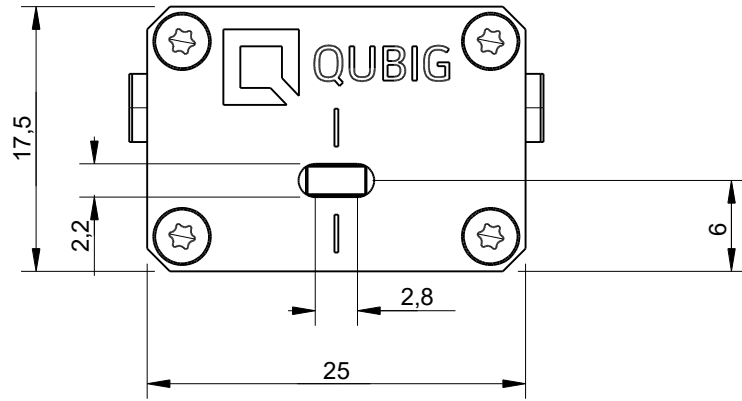
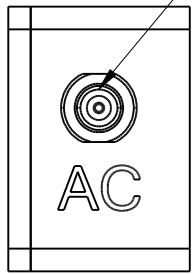


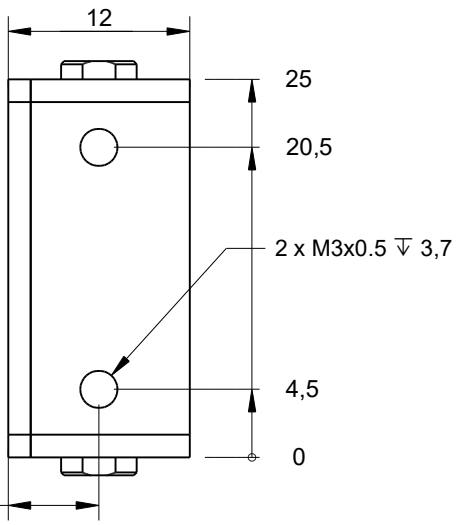
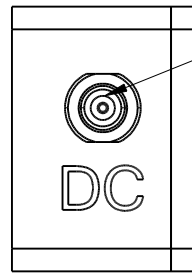
RevNo	Revision note	Date	Signature	Checked
-------	---------------	------	-----------	---------



MMCX-f
AC-input



MMCX-f
DC-input



Itemref	Quantity	Title/Name, designation, material, dimension etc	Article No./Reference		
Drawn by ev	Checked by	Approved by - date	File name	Date May 19, 2020	Scale 1:1



ICPT_v10	Edition	Sheet 1 von 1
----------	---------	------------------