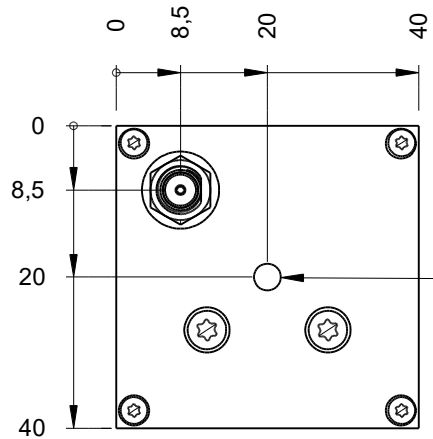
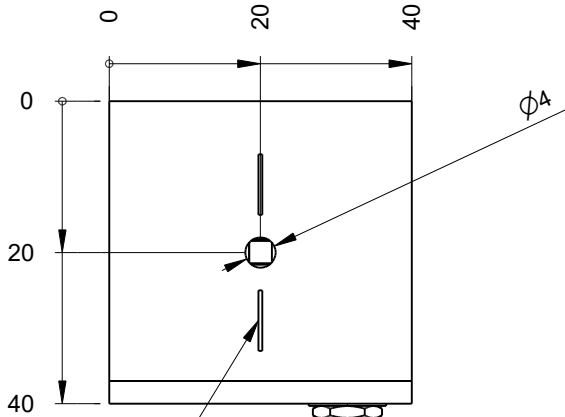
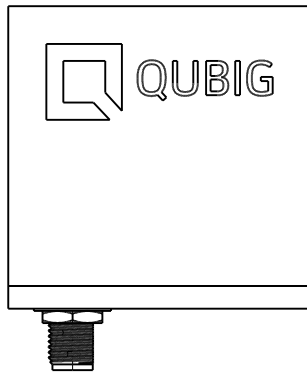
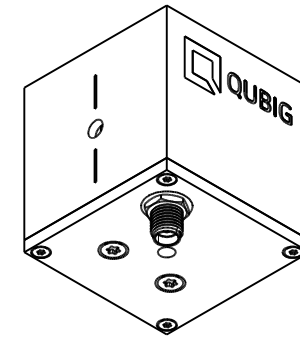
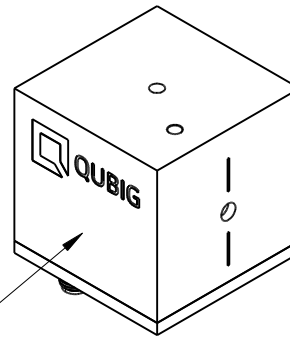


1	2	3	4	5	6
		RevNo	Revision note	Date	Signature
					Checked



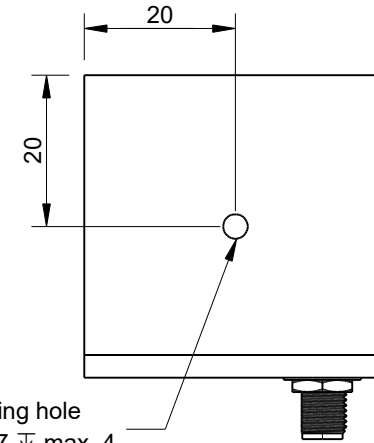
Mounting hole
M4x0.7 ∇ max. 4

Surface: black anodized

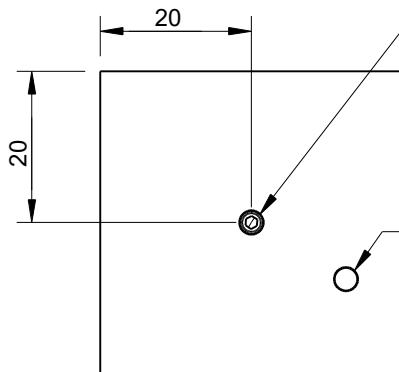


Markers denote
laser polarisation
(linear!)

SMA-f
RF in (50Ohm)




Mounting hole
M4x0.7 ∇ max. 4



Mounting hole
M4x0.7 ∇ max. 4

Frequency
tuning
(optional)

Itemref	Quantity	Title/Name, designation, material, dimension etc			Article No./Reference	
Drawn by ev	Checked by	Approved by - date	File name	Date Oct. 27, 2020	Scale 1:1	
			EO.001.P01.00001_a PM+T		Edition	Sheet 1 von 1