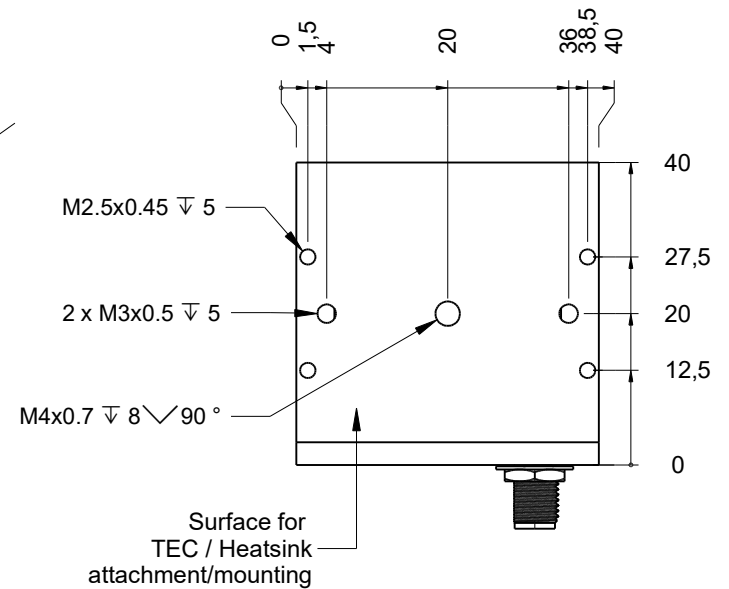
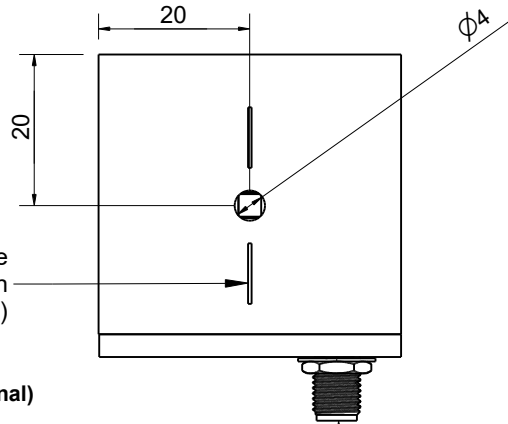
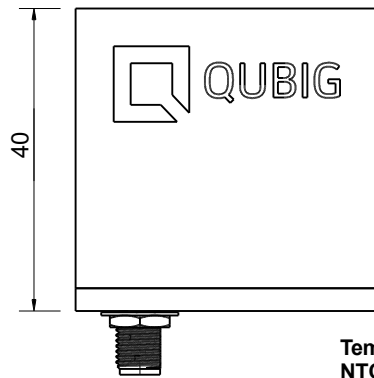
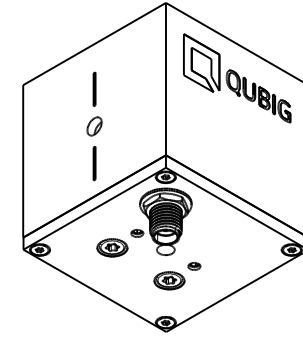
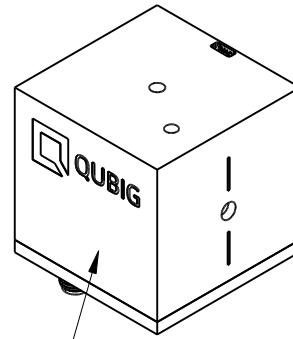
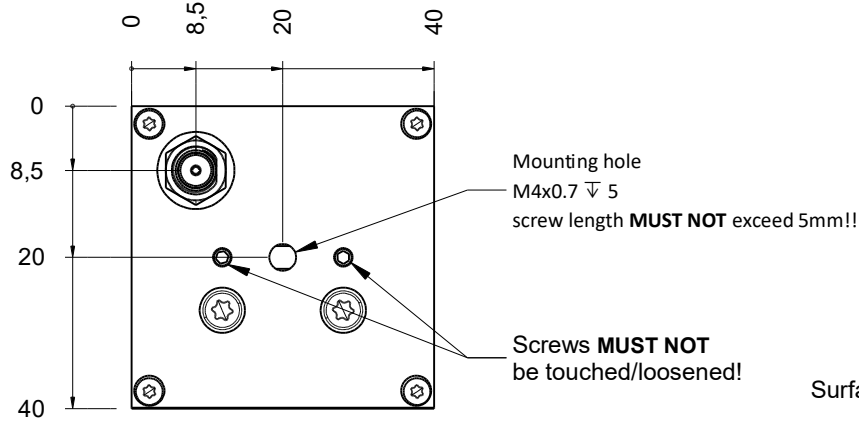
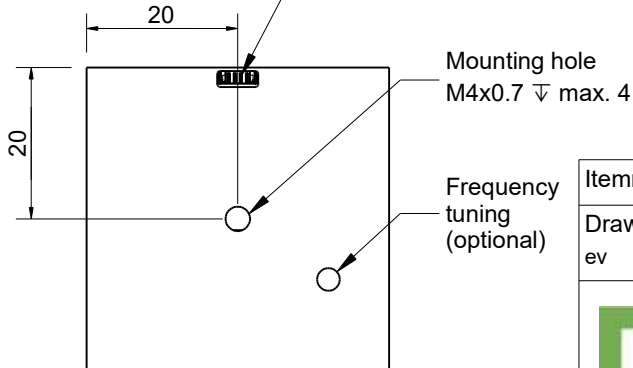


1	2	3	4	5	6	
		RevNo	Revision note	Date	Signature	Checked



Temperature sensor (optional)
NTC10k or PT1000, 1k
 header: Amphenol, 10144042-04011LF
 cable: JST, A04SUR04SUR32W152A



Itemref	Quantity	Title/Name, designation, material, dimension etc			Article No./Reference	
Drawn by ev		Checked by	Approved by - date	File name	Date 18.01.2021	Scale 1:1



EO.001.P01.00002_c
 PM+T+TXC

Edition
 Sheet
 1 von 1